

DHS 065 – 200 VSD+

Dry screw vacuum pump



Atlas Copco

More Clean, More Clever, More Compact – There is always a better way.

Atlas Copco Vacuum solutions has gone from strength to strength over the past few years. Building on a strong legacy of innovation in compression technologies, Atlas Copco's vacuum engineers and designers are always seeking to introduce newer technologies and revolutionize productivity for industrial markets across the globe.

As vacuum leaders what we want to achieve for you are lower lifecycle costs, higher productivity, less energy consumption, proven and simple operation and control and easy maintenance. We introduce the DHS 065 – 200 VSD+ dry screw vacuum pump – Clean. Compact. Clever.



Clean

The DHS 65-200 VSD+ is a truly clean vacuum pump. With zero oil needed, it is free of any oil emissions and has zero contamination, so you can expect an exhaust that is extremely clean. You can expect superior performance with excellent vapour and dust handling capabilities. The simple yet effective design and internal parts reduces maintenance and system downtimes.



Clever

The new screw profile of the DHS 65-200 VSD+ offers best-in-class performance in its category. Equipped and controlled with the MKV Elektronikon®, the pump offers unrivalled built-in intelligence. Elektronikon® is a state-of-the-art monitoring system which can integrate your plant management system thanks to a remote monitoring option. The Variable Speed Drive runs only when required offering you not just savings but true peace of mind.



Compact

It's not just visually clean, but audibly clean. The noise reducing canopy ensures a noticeably quiet, vibration-free operation with a low pitch sound level. Its compact footprint ensures a quick and trouble free installation.



Creating a safer, cleaner and smarter industrial environment

The DHS 65-200 VSD+ is a fully air-cooled, compact and clean dry vacuum pump. It's robust design and small footprint makes it the perfect pump for industrial applications. This innovatively designed pump with remote monitoring and control capabilities is efficient, has a low cost of ownership and is a truly clean vacuum pump.



DHS 065 – 200 VSD+



- Inlet (BSP or NPT threaded)
- MKV Elektronik®
- Exhaust
- Optional purge gas inlet connection

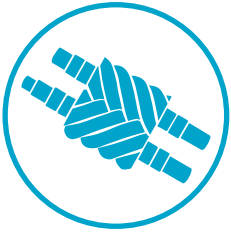


- Belt drive
- VSD motor
- Optional purge gas block



- Gas ballast
- Bearing vent
- Inlet check valve
- Pressure sensor

Features



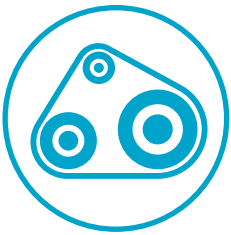
Dry Screw Technology

Each internal part of the DHS is placed to improve efficiency and reduce maintenance. With only 50 moving parts and a triple pitch screw design, the DHS is optimized for best-in-class efficiency. The grease-lubricated bearings and the V-belt are the only parts which require replacement, with exchange intervals being greater than one year.



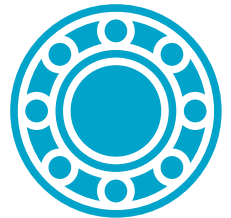
A Dry Air-Cooled Pump

Certified as Oil-Free "Class 0", the DHS 65-200 VSD⁺ is a cool running pump with no water or oil cooling required. The simple air cooled design is integrated into the pump and provides minimal heat load in the environment. Simple and low-cost overall cost as the air-cooling eliminates the need for oil or water changes.



V-Belt drive

You would think this is old-school, but it is actually the apt technology for this clean pump. The belt transmission operates on a soft start which produces less stress on the belt and increases its lifetime. Easy to maintain, a customer can change the belt within 30 minutes.



Bearing Vent

The innovative bearing vent prevents contamination of the grease-lubricated bearings by the inlet gases from the process. The advantage is you get a constant airflow towards the element limiting the ultimate vacuum to 0.1 mbar.



Noise reducing canopy

The DHS 65-200 VSD⁺ is a machine with a small footprint housed in a noise reducing and vibration-free canopy. The compact design is built to reduce noise levels, yet retain the integrity of the parts within the pump. The canopy can be removed easily for maintenance access. This also greatly reduces installation complexity costs for a true Plug and Play pump.



Built-in Intelligence

The Elektronikon[®] monitoring system is built-in, comprehensive monitoring system that offers you remote control and monitoring of your pump. Get the latest status updates on running and stopped hours, programmable timers, warning, fault and shutdown indications.etc.

Combined with **SMARTLINK**, you get all this system information on your smartphone, tablet or PC. This is one clever vacuum pump.

Applications

- Pick and Place
- Cleaning and Drying
- Food Packaging
- Vacuum Bagging
- Vacuum aided drying
- Paper Converting
- Holding
- Corrugated cardboard manufacturing

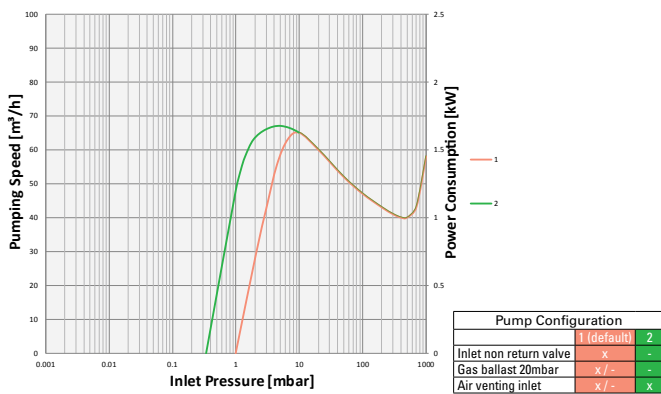


Technical specifications

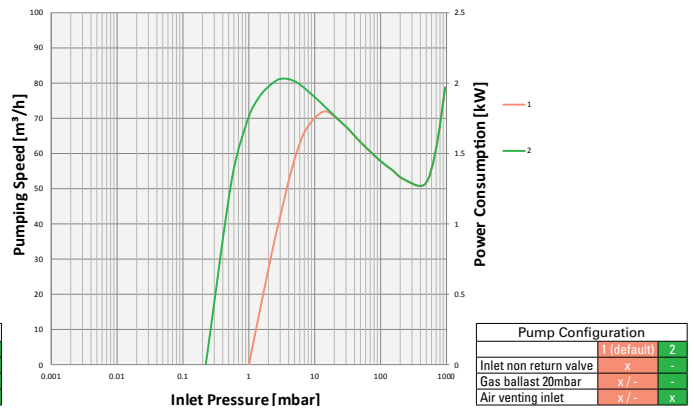
	DHS 065 VSD+	DHS 100 VSD+	DHS 065	DHS 100
Nominal pumping speed (m ³ /h)	65	100	65	100
Nominal pumping speed (ACFM)	38	59	38	59
Ultimate vacuum level mbar(a)	1	1	0.1	0.1
Ultimate vacuum level Torr	0.75	0.75	0.075	0.075
Nominal motor power (kW)	1.5	2.2	1.5	2.2
Nominal motor power (HP)	2	3	2	3
Noise level dB(A)	68	69	70	71

Performance curves

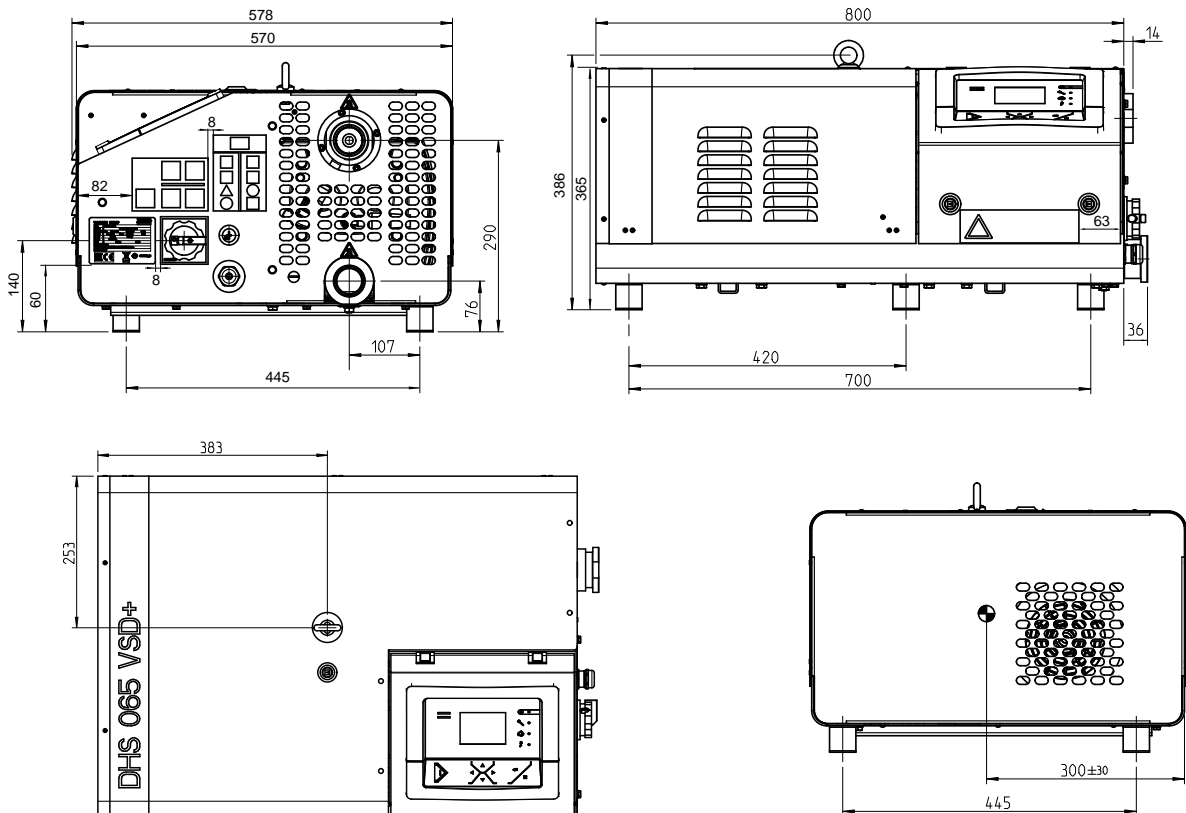
DHS 65 VSD+ Performance



DHS 100 VSD+ Performance



Dimensions



Committed to sustainable productivity

We stand by our responsibilities towards our customers,
towards the environment and the people around us.
We make performance stand the test of time.
This is what we call - Sustainable Productivity.

www.atlascopco.com

